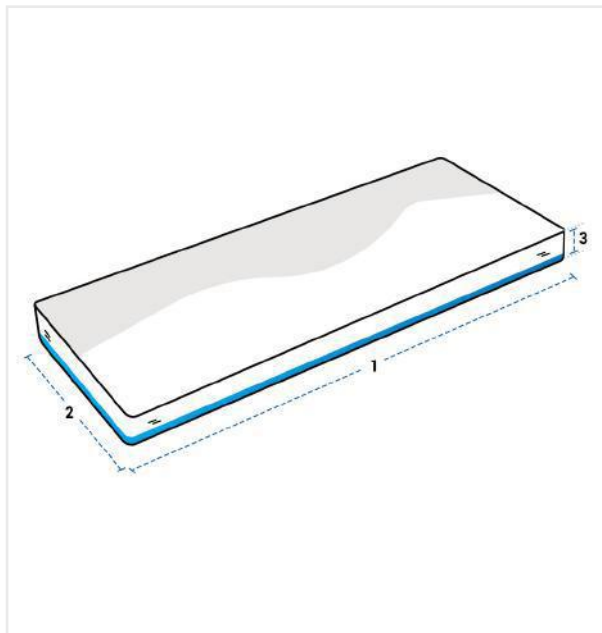


How to Measure Bench Cushion Cover

Measurement Instruction

- ✓ Give exact measurement from edge to edge.
- ✓ We add 0" to -1" size variance on the given width/depth for perfect fit.
- ✓ The height dimensions will remain same as provided by you.



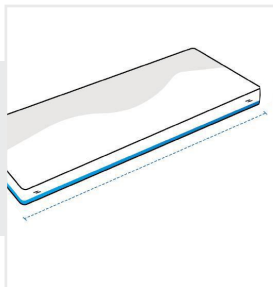
Measurement (Inches)

1. Length

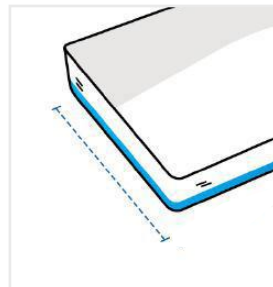
2. Width

3. Thickness

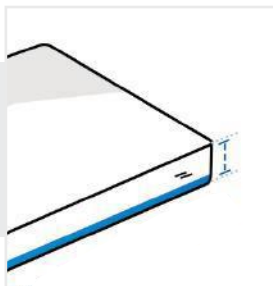
1. Length:
Length of the
Bench Cushion



2. Width:
Width of the
Bench Cushion



3. Thickness:
Thickness of the
Bench Cushion



We encourage you to upload the image of the article you need the cover for - this helps our team ensure covers are designed keeping your requirements in mind.