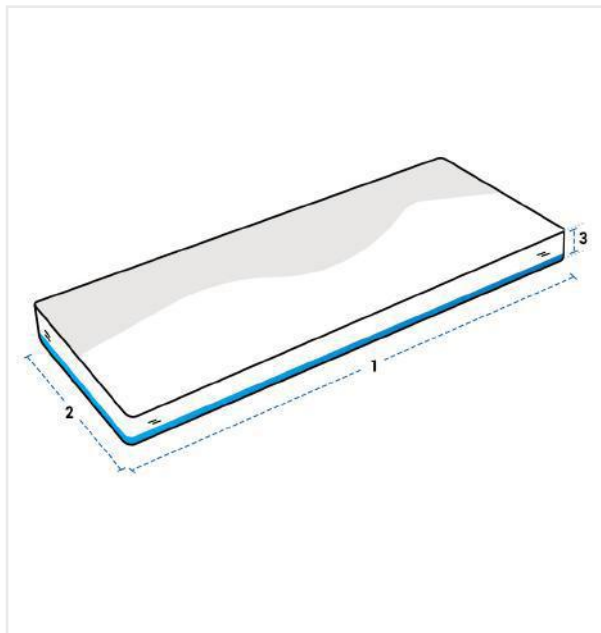


How to Measure Swing Cushion Cover

Measurement Instruction

- ✓ Give exact measurement from edge to edge.
- ✓ We add 0" to -1" size variance on the given width/depth for perfect fit.
- ✓ The height dimensions will remain same as provided by you.



Measurement (Inches)

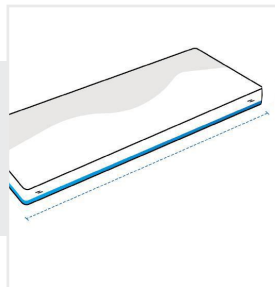
1. Length

2. Width

3. Thickness

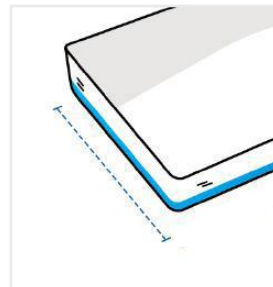
1. Length:

Length of the Swing Cushion



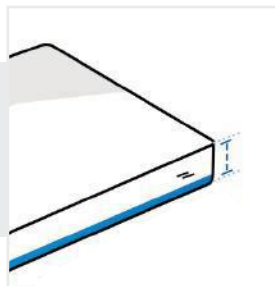
2. Width:

Width of the Swing Cushion



3. Thickness:

Thickness of the Swing Cushion



We encourage you to upload the image of the article you need the cover for - this helps our team ensure covers are designed keeping your requirements in mind.