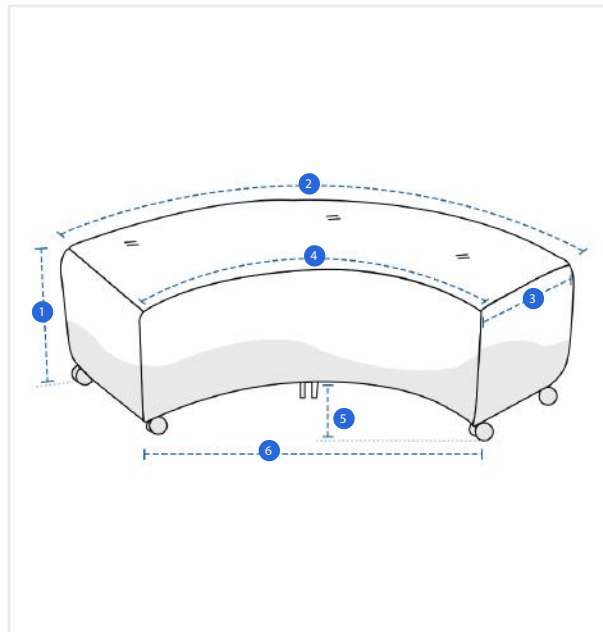


How to Measure Curved Ottoman Covers

Measurement Instruction

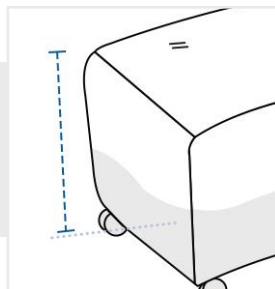
- ✓ Give exact measurement from edge to edge.
- ✓ We add 1" to 2" leeway on the given width/depth for easy pull-in and pull-out.
- ✓ The height dimensions will remain same as provided by you.



Measurement (Inches)

1. Height	<input type="text"/>	2. Curved Width	<input type="text"/>
3. Depth	<input type="text"/>	4. Front Curved Width	<input type="text"/>
5. Fronth Straight Depth	<input type="text"/>	6. Front Width	<input type="text"/>

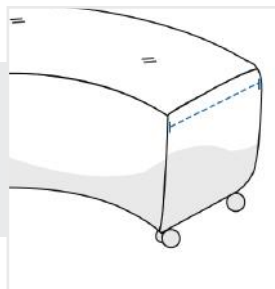
1. Height:
Height of the Curved Ottoman



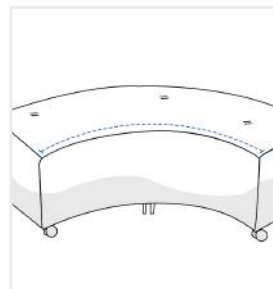
2. Curved Width:
Curved Width of the Curved Ottoman



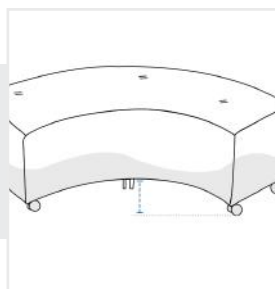
3. Depth:
Depth of the Curved Ottoman



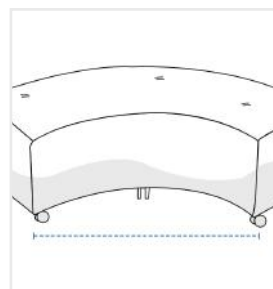
4. Front Curved Width:
Front Curved Width of the Curved Ottoman



5. Fronth Straight Depth:
Front Straight Depth of the Curved Ottoman



6. Front Width:
Front Width of the Curved Ottoman



We encourage you to upload the image of the article you need the cover for - this helps our team ensure covers are designed keeping your requirements in mind.