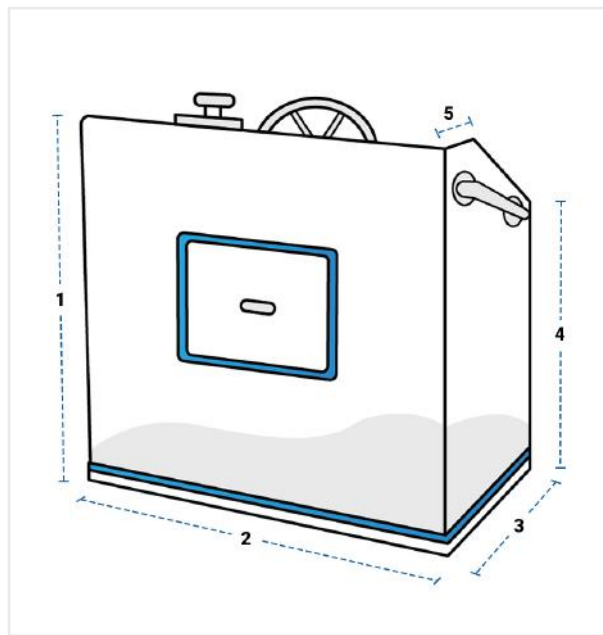


# How to Measure Custom Boat Center Console Covers

## Measurement Instruction

- ✓ Give exact measurement from edge to edge.
- ✓ We add 1" to 2" leeway on the given width/depth for easy pull-in and pull-out.
- ✓ The height dimensions will remain same as provided by you.



### Measurement (Inches)

1. Height

2. Width

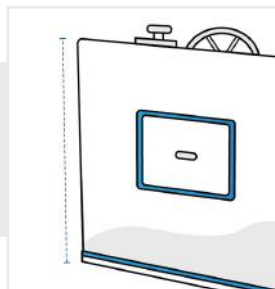
3. Bottom Depth

4. Front Height

5. Top Depth

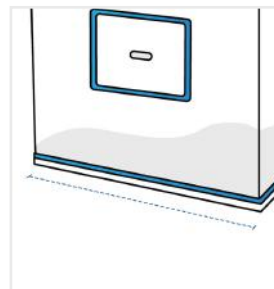
#### 1. Height:

Height of the Custom Boat Center Console



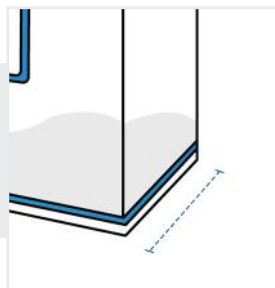
#### 2. Width:

Width of the Custom Boat Center Console



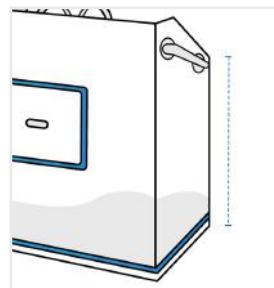
#### 3. Bottom Depth:

Bottom Depth of the Custom Boat Center Console



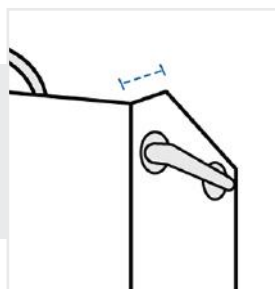
#### 4. Front Height:

Front Height of the Custom Boat Center Console



#### 5. Top Depth:

Top Depth of the Custom Boat Center Console



We encourage you to upload the image of the article you need the cover for - this helps our team ensure covers are designed keeping your requirements in mind.