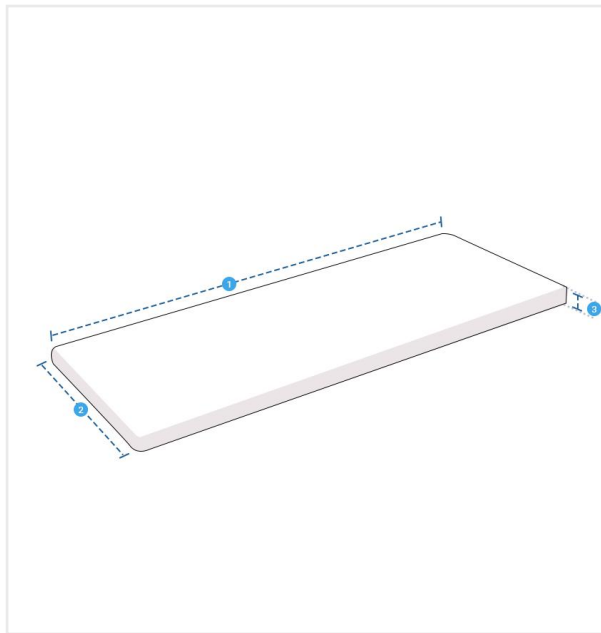


# How to Measure Custom Outdoor Mattress Cover

## Measurement Instruction

- ✓ Give exact measurement from edge to edge.
- ✓ We add 1" to 2" leeway on the given width/depth for easy pull-in and pull-out.
- ✓ The height dimensions will remain same as provided by you.
- ✓ All measurements will be done in inches.



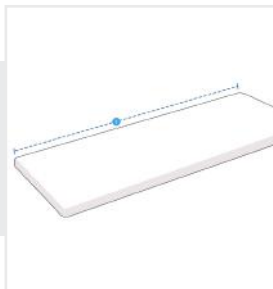
### Measurement (Inches)

1. Length

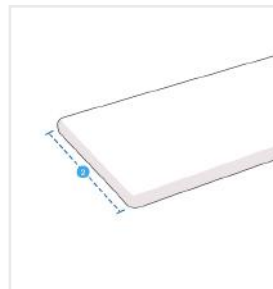
2. Width

3. Height

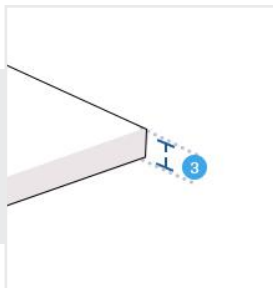
**1. Length:**  
Length of Mattress



**2. Width:**  
Width of Mattress



**3. Height:**  
Height of Mattress



We encourage you to upload the image of the article you need the cover for - this helps our team ensure covers are designed keeping your requirements in mind.