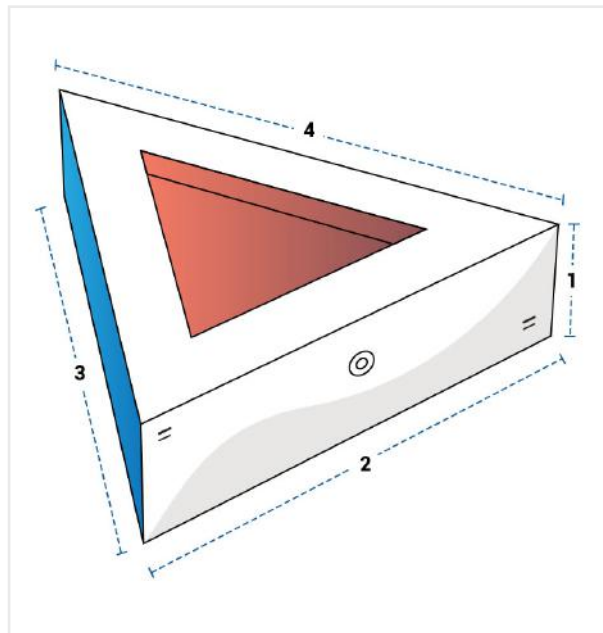


# How to Measure Fire Pit Covers - Triangle

## Measurement Instruction

- ✓ Give exact measurement from edge to edge.
- ✓ We add 1" to 2" leeway on the given width/depth for easy pull-in and pull-out.
- ✓ The height dimensions will remain same as provided by you.



### Measurement (Inches)

1. Height

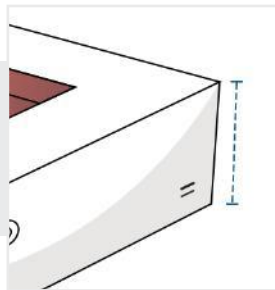
2. Width

3. Depth #1

4. Depth #2

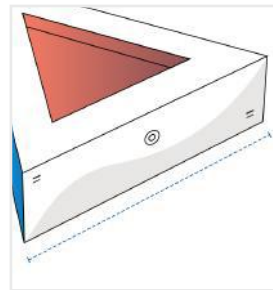
#### 1. Height:

Height of the Fire Pit Triangle



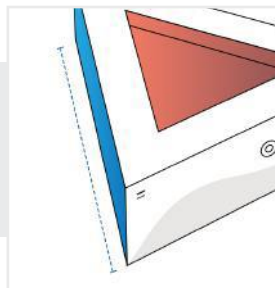
#### 2. Width:

Width of the Fire Pit Triangle



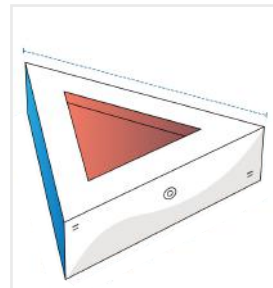
#### 3. Depth #1:

Depth (Side #1) of the Fire Pit Triangle



#### 4. Depth #2:

Depth (Side #2) of the Fire Pit Triangle



We encourage you to upload the image of the article you need the cover for - this helps our team ensure covers are designed keeping your requirements in mind.