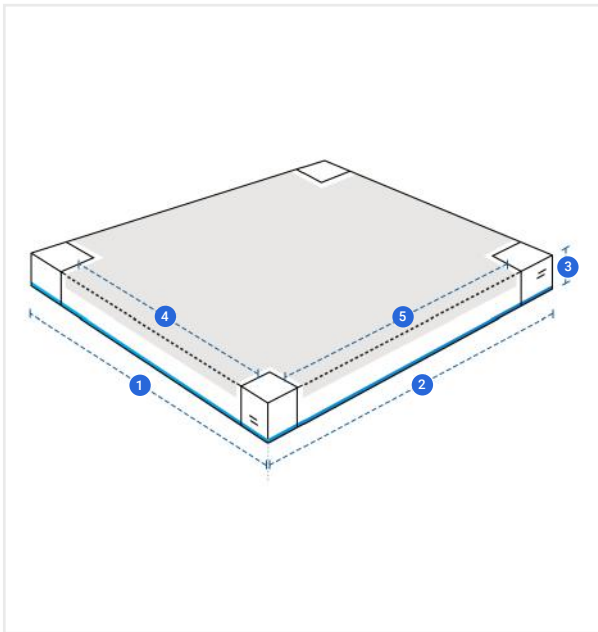


How to Measure Heavy Duty Custom Sandbox Covers - With 4 Pole Cut-Out

Measurement Instruction

- ✓ Give exact measurement from edge to edge.
- ✓ The Final size can be +1" to 2" on the given Width and Length
- ✓ The height dimensions will remain same as provided by you.

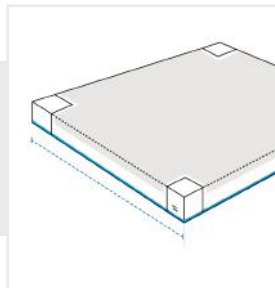


Measurement (Feet)

1. Length	<input type="text"/>	2. Width	<input type="text"/>
3. Height	<input type="text"/>	4. Length Between 2 Poles	<input type="text"/>
5. Width Between 2 Poles	<input type="text"/>		

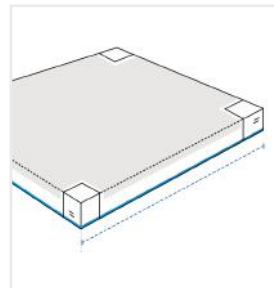
1. Length:

Length of the Heavy Duty Custom Sandbox Covers



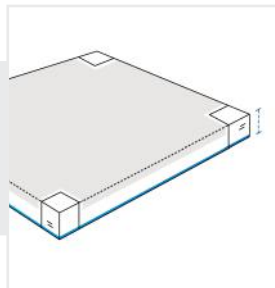
2. Width:

Width of the Heavy Duty Custom Sandbox Covers



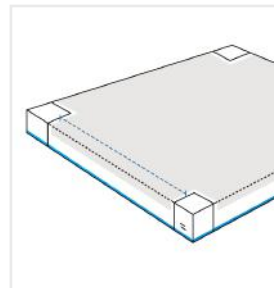
3. Height:

Height of the Heavy Duty Custom Sandbox Covers



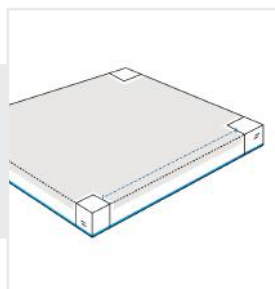
4. Length Between 2 Poles:

Length Between 2 Poles of the Heavy Duty Custom Sandbox Covers



5. Width Between 2 Poles:

Width Between 2 Poles of the Heavy Duty Custom Sandbox Covers



We encourage you to upload the image of the article you need the cover for - this helps our team ensure covers are designed keeping your requirements in mind.