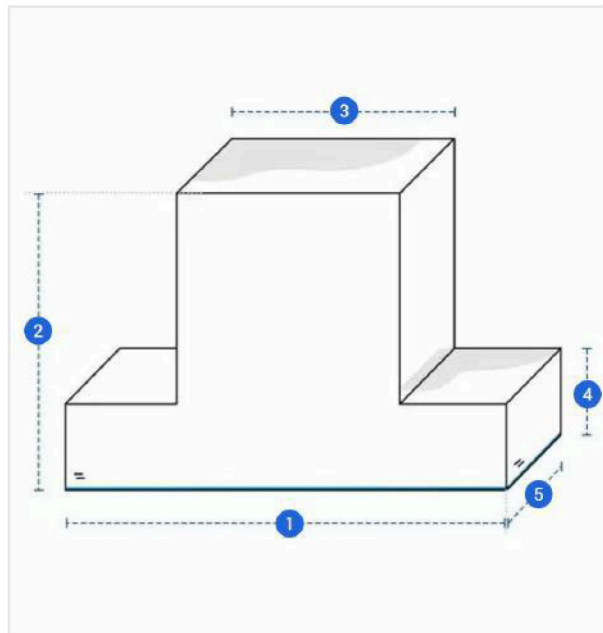


# How to Measure T Shape Tufted Cushion

## Measurement Instruction

- ✓ Give exact measurement from edge to edge.
- ✓ The height dimensions will remain same as provided by you.
- ✓ Size may vary from 0 to ±2" from the given width/depth for a better fit.



### Measurement (Inches)

1. Bottom Width

2. Length

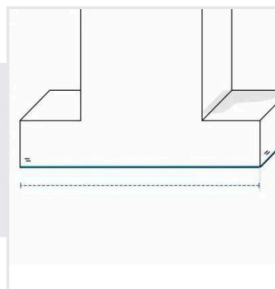
3. Top Width

4. Edge

5. Thickness

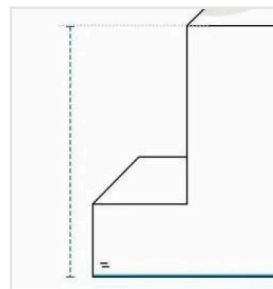
#### 1. Bottom Width:

Bottom Width of the T Shape Cushion



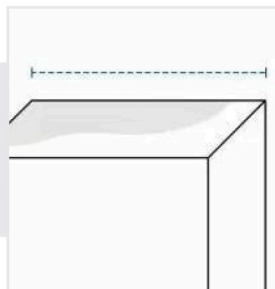
#### 2. Length:

Length of the T Shape Cushion



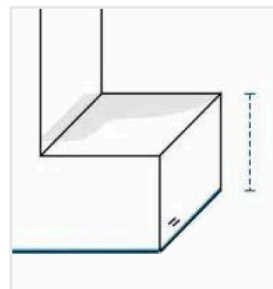
#### 3. Top Width:

Top Width of the T Shape Cushion



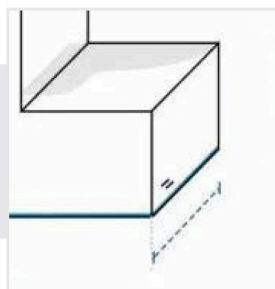
#### 4. Edge:

Edge of the T Shape Cushion



#### 5. Thickness:

Thickness of the T Shape Cushion



We encourage you to upload the image of the article you need the cover for - this helps our team ensure covers are designed keeping your requirements in mind.